

TOOLBASE Control AR-19 600 Professional

With its maximum load capacity of 600 kg, the TOOLBASE Control AR-19 600 was specially developed for the provision of cutting tools.

The customisable partition walls are adapted to the products to be stored and allow a high degree of storage flexibility. Supported by the CORE software and a sliding door, only the previously selected article is made available to the user. In this way, tools are available close to use at all times.

The TOOLBASE Control AR-19 600 is also ideally suited for the individual dispensing of C-articles.

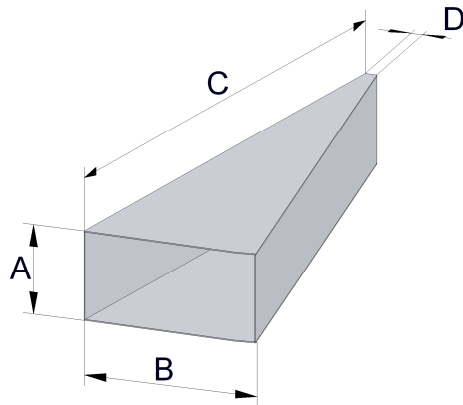
Standard colour: RAL 7012 basalt grey matt



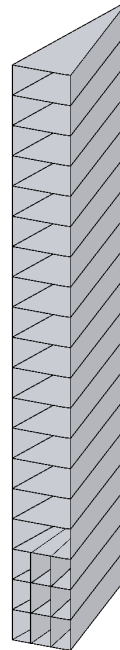
Technical Data:	
Depth	1.025 mm
Width	985 mm
Height	1.980 mm
Withdrawal	Single withdrawal, automatic control
Number of compartments	200 – 1.140 compartments (depending on configuration)
Tara weight // Load capacity	695 kg // max. 600 kg (depending on configuration)

TOOLBASE AR-19 600 Professional

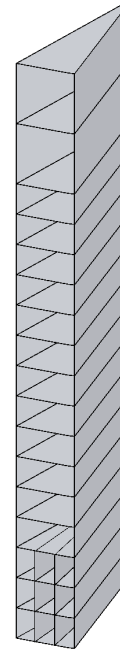
Configuration options:



Variante I



Variante II



Compartment size (*)	Number of comp.	Comp. per level	Max. number of levels	A (mm)	B (mm)	C (mm)	D (mm)	Max. load cap. per Comp. (kg)
1	1140	60	19	80	45	316	12	3
2	760	40	19	80	68	316	32	3
3	380	20	19	80	136	316	51	3
4	540	60	9	160	45	316	12	3
5	360	40	9	160	68	316	32	3
6	180	20	9	160	136	316	51	3

(*) Only one compartment size is possible per level

Standard config.	
Variante I	500 compartments: 16 layers size 3 / 3 layers size 1 (max. 1.140 compartments **)
Variante II	460 compartments: 2 layers size 6 / 12 layers size 3 / 3 layers size 1 (max. 1.020 compartments **)

(**) Additional necessary partitioning material to be ordered separately